



### QUALITY GUARANTEE

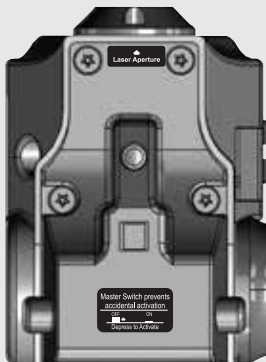
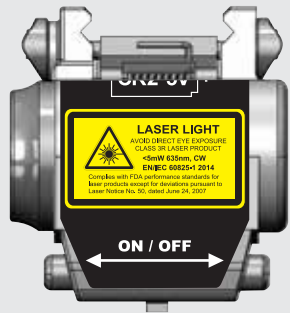
This product is guaranteed against all defects in workmanship and materials for the original owner for one year from the date of purchase. Damage to or failure of the product or any component thereof due to alteration, misuse, battery leakage or lack of maintenance will void any and all guarantees. Damage by leakage of battery should be taken up with the manufacturer of the battery using their damage claim instructions. For any additional information call 1-800-255-6061.

**CALIFORNIA REQUIRED WARNING**  
Cancer and Reproductive Harm  
[www.P65Warnings.ca.gov/product](http://www.P65Warnings.ca.gov/product)

The Exporting or Re-Exporting of U.S. Controlled items without proper approval from the U.S. State or Commerce Departments is strictly prohibited.

All copyrighted and copyrightable materials, including, without limitation, the logo, design, text, graphics, pictures, copywriting and the selection and arrangement ("Materials") thereof are ALL RIGHTS RESERVED Copyright © 2018 Alliance Sports Group.

U.S. Patent: D700,674



This Laser Product is designated as Class 3R during all procedures of Operation.

- Wavelength: 635nm
- Laser Power for classification: <5mW CW

### LASER LIGHT - AVOID DIRECT EYE EXPOSURE

**CAUTION - use of controls or adjustments or performance of procedures other than those specified herein may result in hazardous radiation exposure.**

**DO NOT POINT LASER TO BE DIRECTED OR REFLECTED TOWARD OTHER PEOPLE OR REFLECTIVE OBJECTS. USE CAUTION AROUND FACE AND EYES.**

### IMPORTANT WARNINGS

Night hunting with artificial light may be prohibited or restricted in your state. Please check your state's game laws for clarification.

**FAILURE TO READ AND FOLLOW THESE OPERATING INSTRUCTIONS AND WARNINGS WHEN HANDLING A FIREARM OR THIS PRODUCT CAN BE DANGEROUS AND CAN RESULT IN SERIOUS INJURY, DAMAGE TO PROPERTY, OR DEATH.**

- Use of a firearm under any circumstance may be dangerous. **SERIOUS INJURY OR EVEN DEATH** may result without proper training in the safe handling of firearms. Proper training should be obtained from an accredited firearms safety program conducted by competent, qualified instructors in the military, police academies or National Rifle Association affiliated instruction programs.
- Read your firearm's manual before attaching your gun mounted laser.
- Never point a firearm at something you are not willing to destroy.
- iPROTEC® recommends that this product should only be activated with the non-trigger hand while employing a two-hand grip on the firearm and with the trigger finger outside the trigger guard when possible. Failure to do so could result

in an accidental discharge and serious injury, damage to property, or death.

- Thoroughly practice (employing safe training conditions) with this item and firearm before using the weapon in a tactical situation.

**BEFORE ATTACHING, INSPECTING OR SERVICING A FIREARM-MOUNTED LASER**

1. Engage the safety on the firearm if applicable.
2. Remove the magazine from the firearm if applicable.
3. Open the action and inspect the chamber to be sure it is empty.

**IT IS IMPERATIVE THAT SAFETY MEASURES BE EMPLOYED AT ALL TIMES WHILE HANDLING THE FIREARM.**

### MAINTENANCE

If the laser stops working, replace the batteries as shown. A drop of 3-in-1 oil on the mounting hinge can be added to ease movement.

There is no other scheduled maintenance or service that can be performed by the user. Other than battery replacement, this product must not be opened or modified by the user. If any repair or service is required, please return the product to Alliance Sports Group in accordance with the product warranty.

### BATTERIES

**WARNING: FIRE, EXPLOSION, BURN HAZARD.**  
**USE ONLY: CR2 Battery.** Use of other batteries or mixing of used and new or different brand batteries may result in leakage, fire or explosion and serious personal injury. **DO NOT** recharge, misuse, short circuit, improperly store or discard, disassemble, or heat above 212°F (100°C). Keep away from children.

**USE ONLY THOSE BATTERIES SPECIFICALLY RECOMMENDED FOR USE IN THIS PRODUCT.**

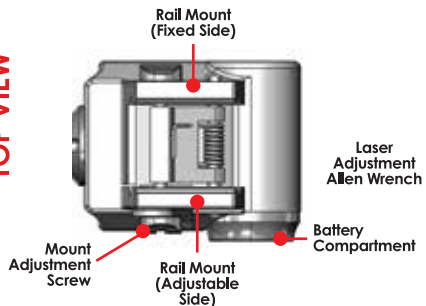


**SCOR**  
**RAIL-MOUNTED RED LASER**

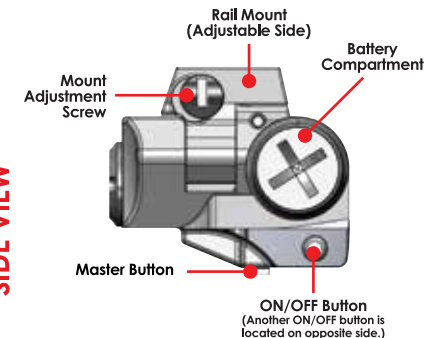
#6116 USER MANUAL

## OVERVIEW

TOP VIEW



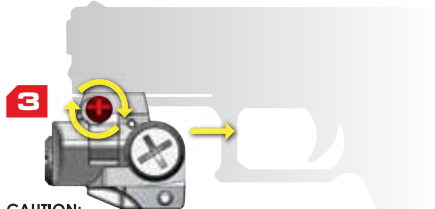
SIDE VIEW



## MOUNTING INSTRUCTIONS

1. Turn **Mount Adjustment Screw** (counter-clockwise) to widen the rail mount.
2. Attach unit to your firearm's rail starting with the **Fixed Side** of the rail mount. Loosen rail further if necessary.
3. Once unit is clamped onto both sides of the firearm rail, turn the **Mount Adjustment Screw** clockwise to secure.

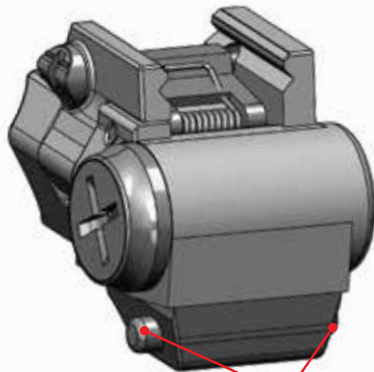
Make sure mount is secure and test your laser for functionality.



**CAUTION:** Make sure that the firearm has the safety on and is unloaded to avoid misfiring.

## OPERATING INSTRUCTIONS

The uses side-mounted ON/OFF buttons to activate the laser.



Use the side-mounted ON/OFF button to activate the laser. Side-mounted ON/OFF button(s) are located on the right and left side of the unit for ambidextrous use. Use either ON/OFF button to activate the laser depending on your preference.

## LASER ADJUSTMENT

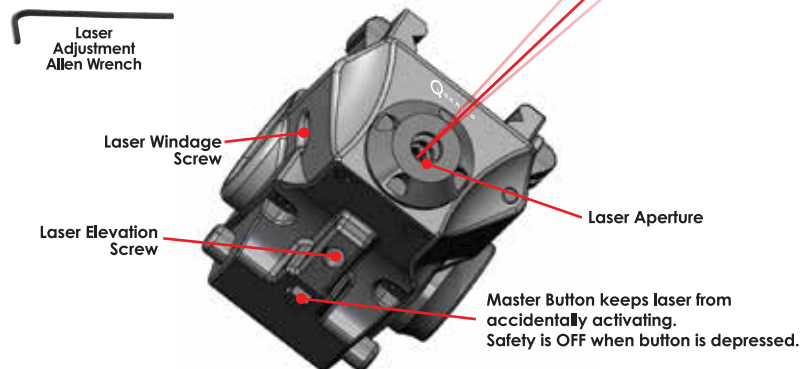
A small Allen Wrench is included to adjust the windage and elevation of the laser sight.

### IMPORTANT:

Sighting is relative to distance! (Laser sighted at one distance is not accurate at another.)

The **Windage Screw** is located on the side of the unit. With the Allen Wrench, turn **Windage Screw** clockwise or counter-clockwise to adjust windage.

The **Elevation Screw** is located on the bottom of the unit. With the Allen Wrench, turn screw clockwise or counter-clockwise to adjust elevation.



## BATTERY INSTALLATION

Always remove unit from firearm to change batteries or to perform any maintenance.

1. To open battery compartment, use a coin to turn battery compartment cover counter-clockwise.
2. Remove old batteries and dispose of properly. Insert new battery positive end (+) first, as shown. Powered by 1 CR2 battery.
3. Reattach battery compartment cover with a coin by turning clockwise until securely in place.

